

Pump ZP4000

Product description

Application

The pump ZP4000 in various design versions are used for direct lubrication in multi-line systems (one delivery element per lubricating point) or as delivery pump for lubricant in progressive systems.

Product characteristics

- + Multi-line pump
- + up to 8 lubrication points
- + Maintenance-free
- + Pressure range up to 160 bar
- + Lubricant: oil, grease, liquid grease
- + Surface signal grey RAL 7004

Function

Drive of central lubrication pump ZP4000 is effected by means of electromotor with step-down gearing flanged onto the housing and linked with the worm shaft via Woodruff key in form-fit connection.

Each feed-line connection is equipped with a delivery piston and a control piston. A rotary motion is imparted on the pump shaft with cam disk via drive the delivery piston getting a stroke motion. The control gear is to actuate the control piston. Due to the stroke motion of delivery pistons, lubricant intake is effected through the control ducts of control pistons and delivered into the pressure bore. The scraper plate is delivering the lubricant to the suction bores. The stirrer blade pressing the lubricant through the sieve plate into the suction compartment is arranged in the lubricant reservoir.

The central lubrication pump ZP4000 can be supplied with 1 pumping unit with a maximum of 8 feed-line connections. Upon dispatch of pumps, the rate of delivery has been set to maximum value. The rate of delivery can be set infinitely from 0 to 0.2 cm³. Feed-line connections not required shall be put to "zero rate of delivery" and should not be closed. The lubricant reservoir can be equipped with Ultrasonic level switches as required.



Technical Data

Rated pressure	160 bar
Operating pressure	in dependence on operating mode and operating conditions (to be agreed upon with the manufacturer)
Rate of delivery per outlet	0 ... 0.2 cm ³ /stroke
Pipe connection for feed line	M 14 x 1.5
Step-down ratio	150 : 1; 300 : 1; 420 : 1
Delivery rate	1.69 cm ³ /min; 0.84 cm ³ /min; 0.6 cm ³ /min
Rated speed of pump shaft (rpm)	max. 12 min ⁻¹
Rated speed	1360 min ⁻¹
Motor power	0.18 kW
NLGI class	000 ... 3
Temperatur range	- 30 °C up to + 60 °C
Number of outlets	max. 8
Reservoir capacity	reservoir metal 5 and/or 10 litres
Weight	9 and/or 16 kg

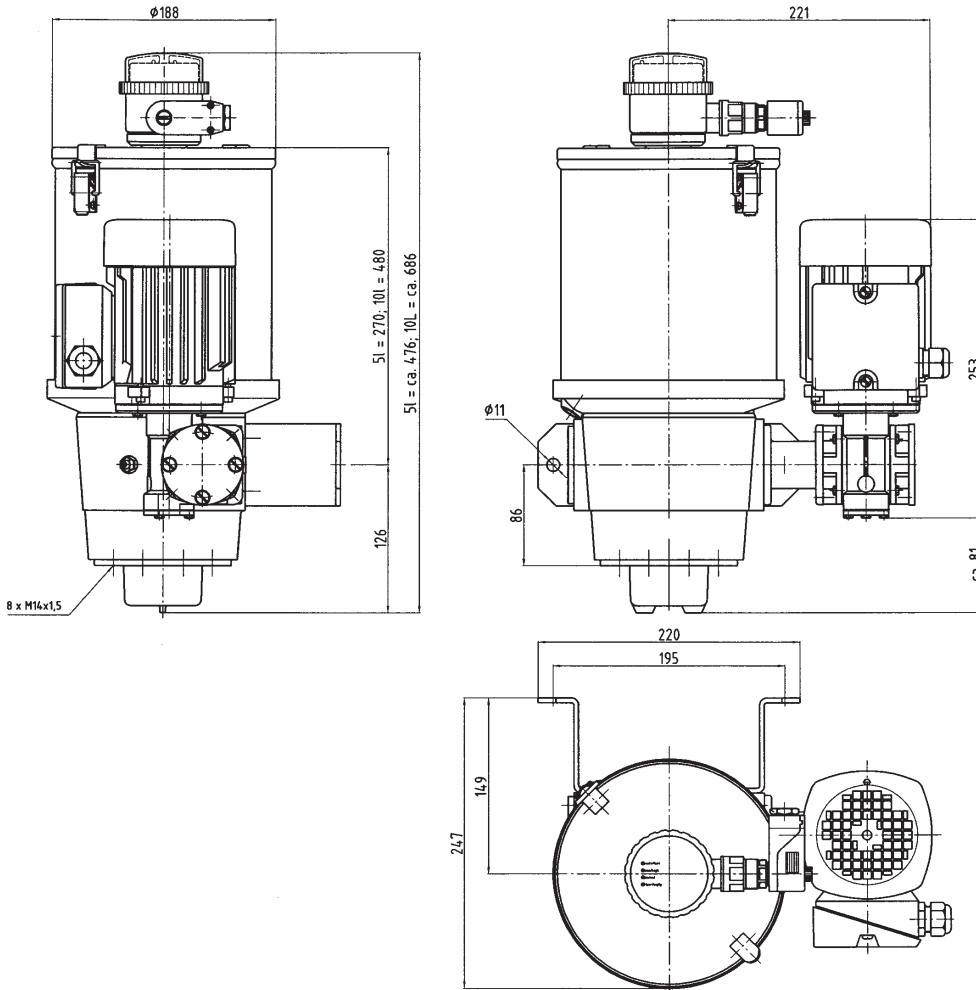
DELIMON GMBH

(+49) 211 7774-0 TELEFON
(+49) 211 7774-210 FAX

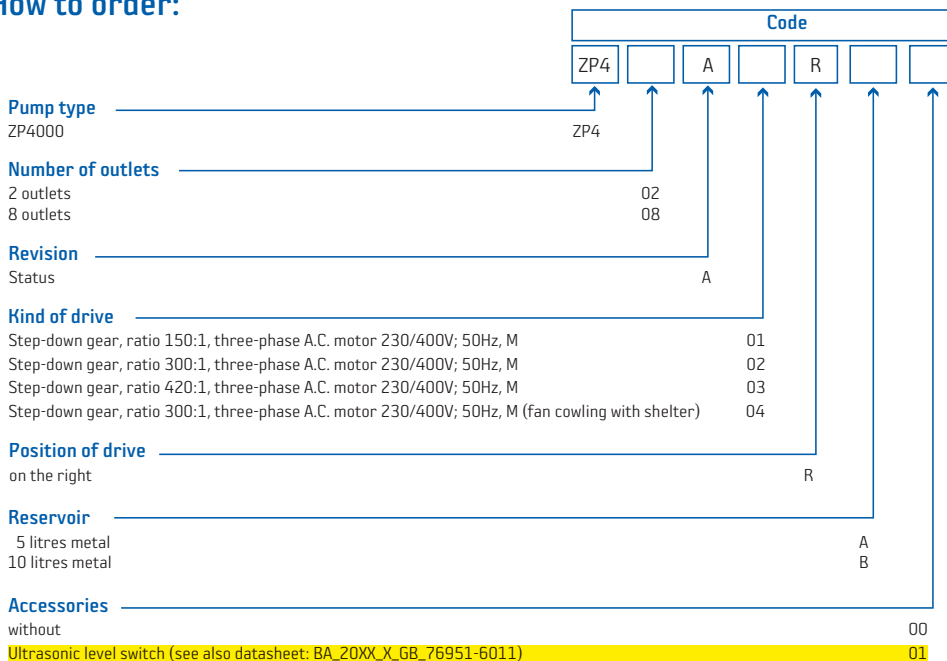
WWW.BIJURDELIMON.COM

Arminstraße 15
40227 Düsseldorf

Dimensions (mm)



How to order:



Example of order:

ZP4 02 A 01 R B 01

Pump ZP4000, 2 outlets, Step-down gear, ratio 150:1, three-phase A.C. motor 230/400V, 50Hz, M, position of drive on the right, reservoir 10 litres metal, level switch.

DELIMON GMBH

(+49) 211 7774-0 TELEFON
(+49) 211 7774-210 FAX

WWW.BIJURDELIMON.COM

Arminstraße 15
40227 Düsseldorf

P_2006_2_GB_ZP4000