

Product description  
**Valve & dividers :**  
**Volumetric**  
**injector**  
**FL 32, 33 Grease**

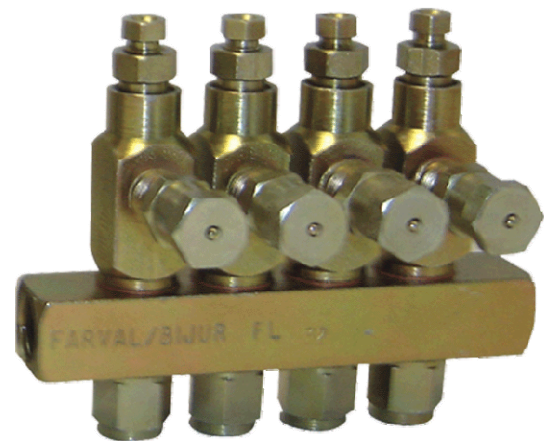
## DESCRIPTION

FL 30 injectors are perfectly adapted to lubricate all types of machines with a cyclic sequence. Discharge of each injector is adjustable yet delivers a precise amount of lubricant. A visual indicator pin built into each injector makes it easy to confirm a discharge at any lubrication point.

## OPERATION

**Pressure stage:** Pressure from the supply lines moves the injector piston forward. This forces a pre measured amount of lubricant (delivered during the vent stage) out of the discharge chamber outlet. At the same time, lubricant is transferred into the measuring chamber, the indicator stem extends as this chamber fills.

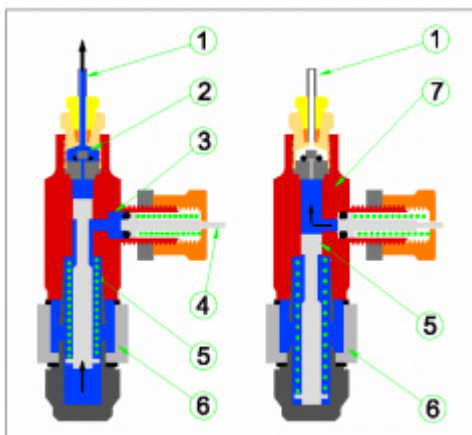
**Vent stage:** System pressure is vented. The piston retracts to its original position. This movement allows lubricant stored in the measuring chamber to empty into the discharge chamber; the indicator stem retracts.



## CHARACTERISTICS

Discharge: .... from 0.016 to 0.131cm<sup>3</sup> / cycle FL32  
 0.016 to 0.049 cm<sup>3</sup> / cycle FL33  
 Number of outlets: ..... 1 to 6  
 Working pressure: ..... 82 bar mini  
 230 bar maxi  
 Maximum vent recharge pressure: ..... 14 bar  
 Working temperature: ..... 5 to 175° C  
 Lubricant to be used: ..... grease NLGI 000 2 max.  
 Other lubricants, contact Bijur.  
 Materials: galvanised carbon steel and viton seals

## System outline:



- |                     |                    |
|---------------------|--------------------|
| 1. Lubricant outlet | 5. Idle position   |
| 2. Dosing piston    | 6. Discharge cycle |
| 3. Pilot piston     | 7. Release cycle   |
| 4. Lubricant inlet  |                    |

## HOW TO ORDER

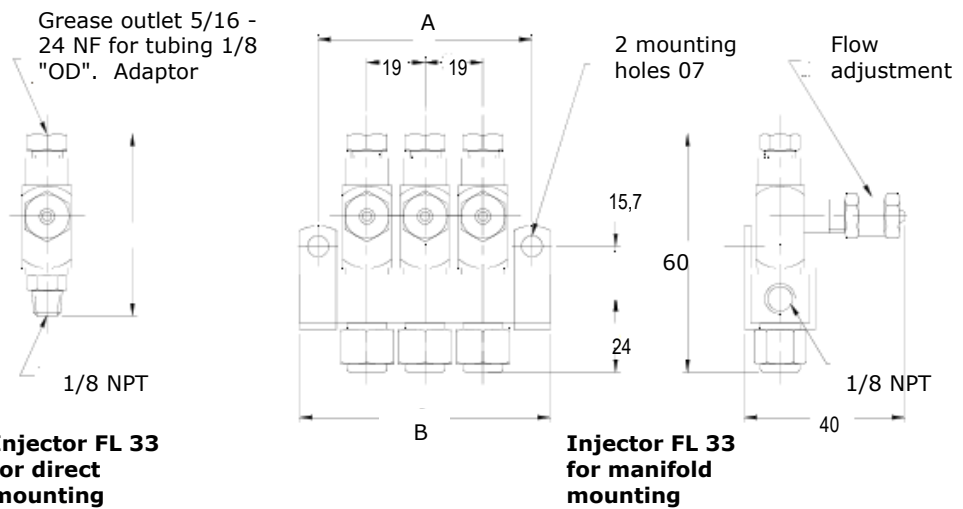
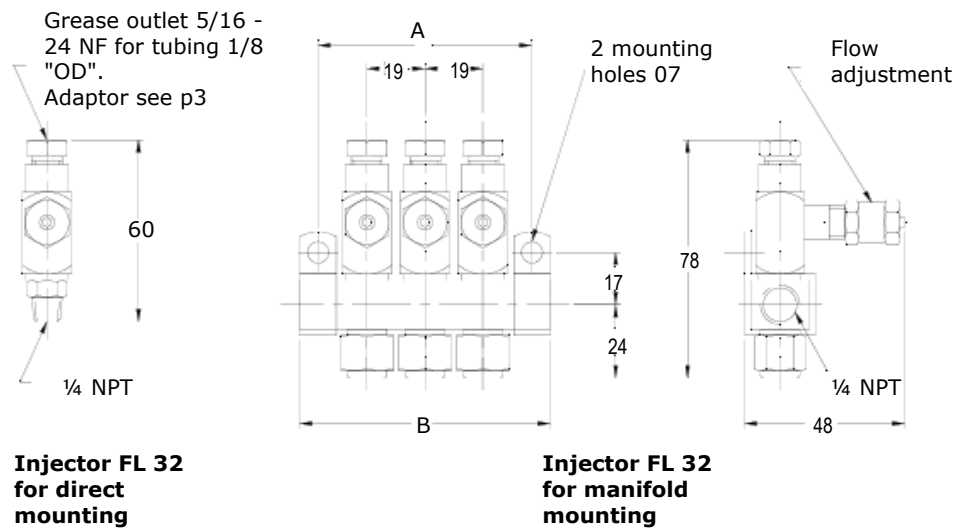
Specify part number in using table below:

Reference injector		Number of outlets
Type FL 32	Type 33	
27163	27164	1*
271631	271641	1
271632	271642	2
271633	271643	3
271634	271644	4
	271645	5
	271646	6
27163R	27164R	#

\* Single direct mount FL 32 1 / 4 NPT  
 FL 33 1 / 8 NPT

# Manifold replacement injector

**DRAWING: INJECTOR FL32-33 GREASE**



Number of outlets	Dimensions (mm)			
	Injector FL32		Injector FL33	
	A	B	A	B
1	32	44	30	41
2	51	63	48	60
3	70	82	67	70
4	89	102	87	98
5	-	-	105	117
6	-	-	124	137

**Discharge adjustment**

On all injectors, the amount of discharge is controlled by the position of the indicator cap.

Fully tighten the indicator cap to obtain the minimum discharge 0,016 Cm<sup>3</sup>.

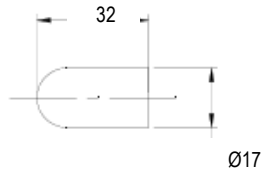
To increase the output, loosen the indicator cap as required.

FL 32: 5 turns for the maximum (0.131cc)  
 FL 33: 2 turns for the maximum (0.049cc)

## ACCESSORIES FOR: INJECTOR FL32-33 GREASE

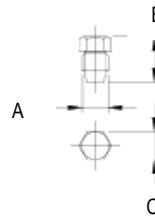
### Injector cover caps Part N° 27335

Cover caps in plastic are used in environments where excessive moisture, dirt and other contaminants exist. They are intended to protect the indicator pin to avoid lubricant leakages.



### Plug

Can be used to close surplus tapped holes (see table below).

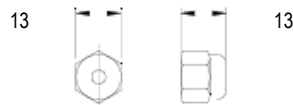


Dimensions ( mm )			Reference
A	B	C	
5/16-24NF	13	8	27336
1/8NPT	18	9,5	HP604
1/4NPT	6,4	4,8	HP622

### Lock nut Part N° 27347

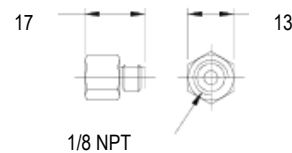
Nut can be used to replace adjustment screw to obtain a fixed discharge.

Injector FL 32/43: 0,033 cm<sup>3</sup> /cycle  
 Injector FL 33/42: 0,049 cm<sup>3</sup> /cycle



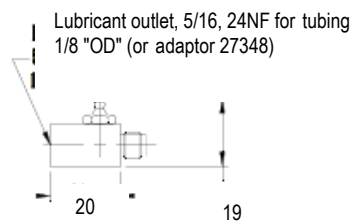
### Adapter Part N° 27348

Can be mounted on discharge port.



### Connector for manual greasing Part N° 27344

Simply a zerk fitting mounted onto a junction. It can be used to fill secondary lines before the first start-up.



**DELIMON GmbH**

**Zentrale**

Arminstraße 15  
D-40227 Düsseldorf  
Telefon: +49 211 7774 0  
Telefax: +49 211 7774 210  
kontakt@bijurdelimon.com  
www.bijurdelimon.com

**DELIMON**

**Niederlassung Beierfeld**

Am Bockwald 4  
D-08344 Grünhain-Beierfeld

**DELIMON**

**Österreich**

Am Heumarkt 10  
A-1030 Wien  
Telefon: +43 1 711 471 391  
Telefax: +43 1 711 471 398  
kontakt@bijurdelimon.com  
www.bijurdelimon.com

**LUBRIMONSA**

**Spain**

Avda. Txori-Erri 38  
48150 Sondica - (Vizcaya)  
Teléfono: +34 94 453 20 00  
Fax: +34 94 453 25 00  
spain@bijurdelimon.com

**DENCO Lubrication Ltd.**

**DELIMON-Cooling  
United Kingdom**

Ramsden Court, Ramsden Road  
Rotherwas Industrial Estate  
Hereford, HR2 6LR  
Phone: +44 (0) 1432 365 000  
Fax: +44 (0) 1432 365 001  
info@delimon.co.uk  
www.bijurdelimon.com

**BIJUR Products, Inc.**

**France**

P.O. Box 50  
Z.I. de Courtabœuf  
9, Avenue du Québec  
91942 Courtabœuf Cedex  
Tél.: +33 1 692 985 85  
Fax: +33 1 690 776 27  
contact@bijurdelimon.com  
www.bijurdelimon.com

**BIJUR Lubricating Ireland Ltd.**

Gort Road  
Ennis, County Clare  
Tel.: +35 3 65 682 1543  
Fax: +35 3 65 682 0327  
www.bijurdelimon.com

*Für reibungslose Bewegung  
For smooth motion*