



PUMP ZP6000

Product Description

Application

The pumps ZP6000 are used for direct lubrication in multi-line systems (one delivery element per lubricating point) or as delivery pump for lubricant in progressive systems.

Product Characteristics

- + Multi-line pump
- + up to 32 lubrication points
- + Maintenance-free
- + Pressure range up to 160 bar
- + Lubricant: Oil, Grease, Liquid grease
- + Surface signal grey RAL 7004



Function

Drive of pump ZP6000 is effected by means of electromotor with step-down gearing flanged onto the housing and linked with the worm shaft via Woodruff key in form-fit connection.

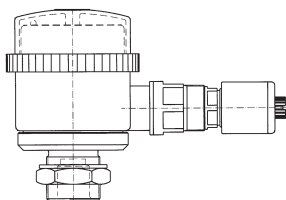
Each feed-line connection is equipped with a delivery piston and a control piston. A rotary motion is imparted on the pump shaft with cam disk via drive, vertical shaft and bevelgear pair the delivery piston getting a stroke motion. The control gear is to actuate the control piston. Due to the stroke motion of delivery pistons, lubricant intake is effected through the control ducts of control pistons and delivered into the pressure bore. The scraper plate is delivering the lubricant to the suction bores. The stirrer blade pressing the lubricant through the sieve plate into the suction compartment is arranged in the lubricant reservoir.

The pump ZP6000 can be supplied with 1 or 2 pumping units installed opposite to each other with a maximum of 16 feed-line connections. The rate of delivery can be set infinitely from 0 ... 0.2 cm³/stroke. Upon dispatch of pumps, the rate of delivery has been set to maximum value.

When an outlet is not required these plugs can be removed, and the outlet closed using plug and sealing ring. The lubricant is now diverted, or re-circulated, back to the pump housing via the open, internal return port.

Coding

A. Pump type ZP6000	Code
	ZP6
B. Number of outlets	Code
6 outlets	06
16 outlets	16
16 outlets with internal return line	1R
32 (16+16) outlets	32
32 (16+16) outlets with internat return line	3R
C. Revision	Code
Status B	B
D. Kinds of drive	Code
Step-down gear, gear ratio 150:1, three-phase A.C. motor 230/400V; 50Hz, M	01
Step-down gear, gear ratio 225:1, three-phase A.C. motor 230/400V; 50Hz, VM, on a base plate	02
Step-down gear, gear ratio 225:1, three-phase A.C. motor 290/500V; 50Hz, VM, on a base plate	04
Step-down gear, gear ratio 450:1, three-phase A.C. motor 230/400V; 50Hz, VM, on a base plate	03
Step-down gear, gear ratio 450:1, three-phase A.C. motor 290/500V; 50Hz, VM, on a base plate	05
E. Position of drive	Code
on the right	R
on the left (only for gear ratio 225:1 and 450:1)	L
F. Reservoir	Code
10 liters with hinge, lock and demountable	A
20 liters with hinge, lock and demountable	B
30 liters with hinge, lock and demountable	C
60 liters with hinge, lock and demountable	D
G. Accessories	Code
without	00
Ultrasonic level switch	01

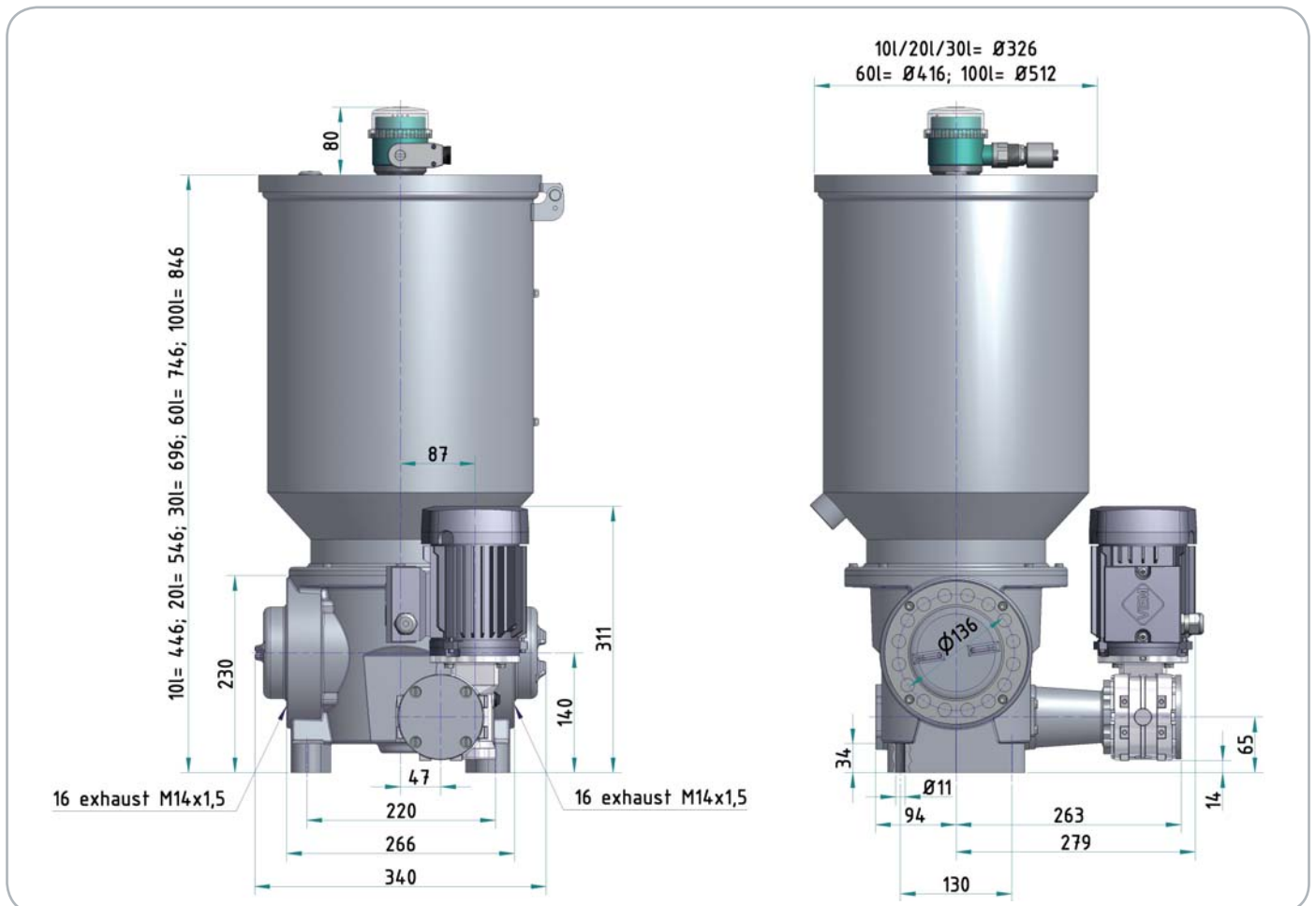


Ultrasonic level switch see data sheet: BA_2005_1_GB_76951-6011

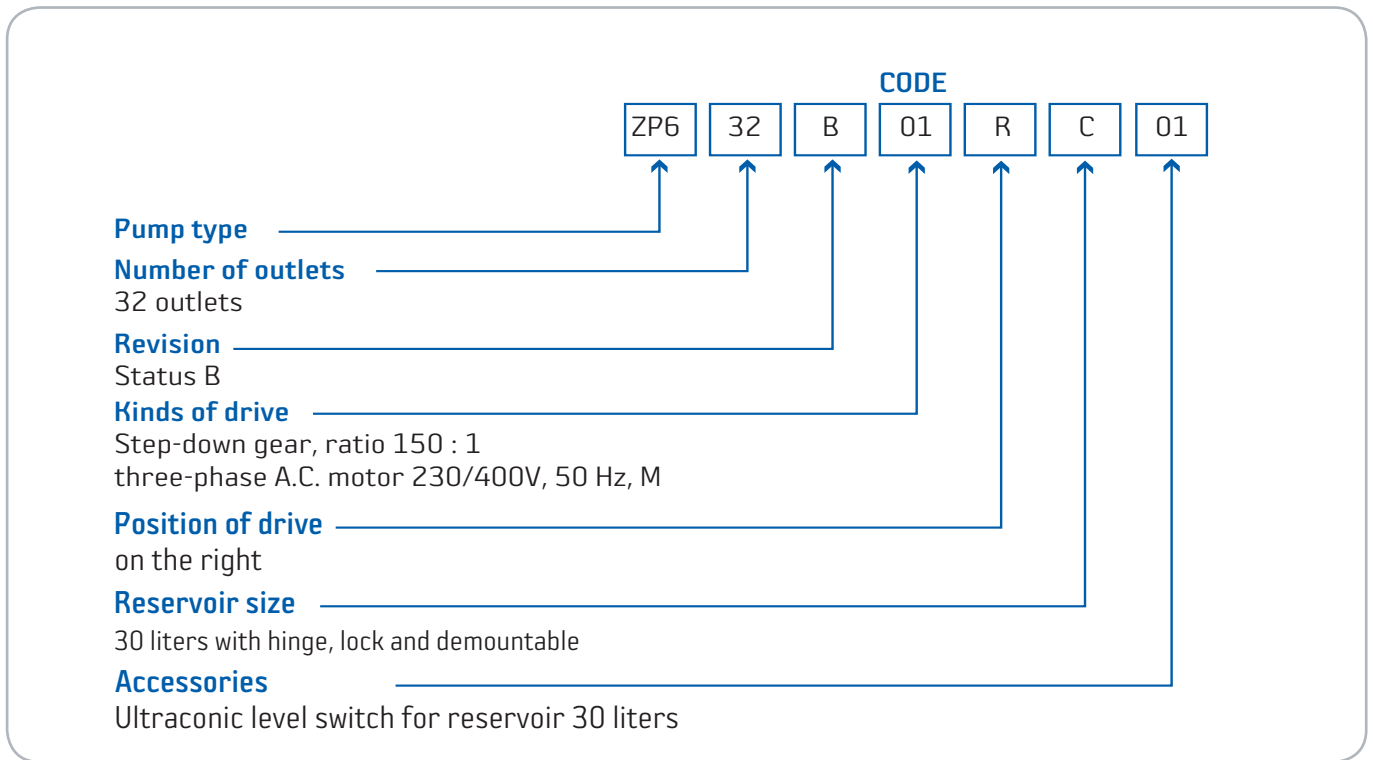
Specification

Rated pressure max.:	160 bar
Operating pressure max.:	in dependence on operating mode and operating conditions (to be agreed upon with the manufacturer)
Rate of delivery per outlet:	0 ... 0.2 cm ³ /stroke
Pipe connection for feed line:	M 14 x 1.5
Step-down ratio:	150 : 1 300 : 1 450 : 1 225 : 1
Delivery rate:	1.69 cm ³ /min 0.84 cm ³ /min 0.6 cm ³ /min 1.12 cm ³ /min
Rated speed of pump shaft (rpm):	max. 12 min ⁻¹
Electro motor:	K21R 71 G4 IM B14K
Rated speed:	1360 min ⁻¹
Motor power:	0.37 kW
NLGI class:	000...3
Temperature range:	- 30°C up to + 60°C
Number of outlets:	max. 32
Reservoir capacity:	10; 20; 30; 60 litres
Weight:	40 and/or 50 kg

Dimensions (mm)



Example of order



Since 1872 an innovator in lubrication technology

BIJUR DELIMON International has production facilities throughout the world, and these are certified to ISO 9001:2008 and ISO 14000. You can be confident that your centralised lubrication system satisfies the highest industrial quality standards. We are committed to quality and customer service!



USA (CORPORATE HEADQUARTERS)

BIJUR DELIMON International
2250 Perimeter Park
Suite 120
Morrisville, NC 27560

(800) 631 0168 **TOLL-FREE**
(919) 465 4448 **TEL**
(919) 465 0516 **FAX**

USA (MANUFACTURING)

BIJUR DELIMON International
2685 Airport Road
Kinston, NC 28504

(800) 227 1063 **TOLL-FREE**
(252) 527 6001 **TEL**
(252) 527 9232 **FAX**

CHINA

Nanjing Bijur Machinery Products, Ltd.
#9 Hengtong Road
Nanjing Xingang Economic & Technical
Development Zone
Nanjing 210038

(+86) 25-85801188 **TEL**
(+86) 25-85802288 **FAX**

UNITED KINGDOM

DENCO Lubrication Limited
Ramsden Court
Ramsden Road Rotherwas
Industrial Estate
Hereford, HR2 6LR

(+44) (0) 1432365000 **TEL**
(+44) (0) 1432365001 **FAX**

GERMANY

DELIMON GmbH
Arminstrasse 15
40227 Düsseldorf

(+49) 211 / 77 74-0 **TEL**
(+49) 211 / 77 74-210 **FAX**

GERMANY (MANUFACTURING)

DELIMON GmbH
Am Bockwald 4
D-08344 Grünhain-Beierfeld

(+49) 3774 65 11 0 **TEL**
(+49) 3774 65 11 30 **FAX**

IRELAND

BIJUR Lubricating Ireland Limited
Gort Road
Ennis, County Clare

(+353) 6568-21543 **TEL**
(+353) 6568-29667 **FAX**

FRANCE

BIJUR Products, Inc.
PB 50 - ZI de Courtabœuf
9, Avenue de Quebec
F-91942 Courtabœuf Cedex

(+33) (0)169298585 **TEL**
(+33) (0)169077627 **FAX**

INDIA

Private Limited
Gat No. 448/13, Village Nighoje
Behind Mahindra Plant - Gate No. 8A
Taluka-Rajgurunagar (Khed)
District-Pune, Pin: 410 501
IND - Maharashtra

(+91) 20 2748 4372 **TEL**

AUSTRIA

DELIMON Zentralschmiertechnik GmbH
Gabrielerstrasse 37
A - 2340 Mödling

(+43) 1 585 66 17 **TEL**
(+43) 1 585 66 17 50 **FAX**

SPAIN

Lubrimonsa
Lubricacion Centralizada de Limon S.A.
Avenida Txori Erri 3
8150 Sondica Vcaya

(+34) 94-453-2000 **TEL**
(+34) 94-453-2500 **FAX**

RUSSIA

000 Bijur Delimon
Vsevolozhsky pereulok,
bld. 2, stroeniye 2
119034, Moscow,
Russia

(+7) 495 637 3606 **TEL**
(+7) 495 637 3606 **FAX**